

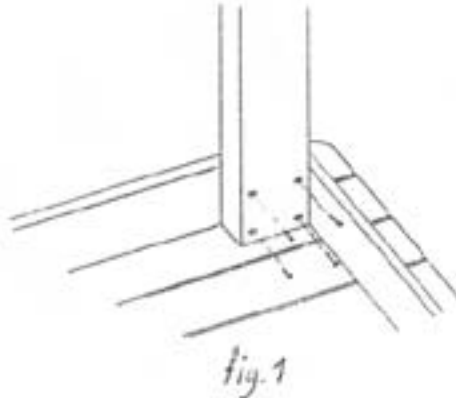


BC 440 RECTANGULAR DINING TABLE

ASSEMBLY INSTRUCTIONS

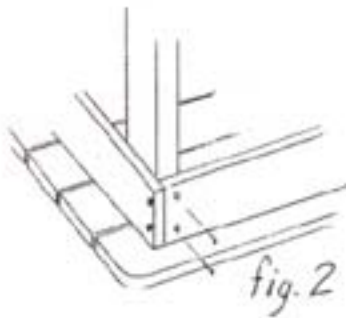


1. After opening the box and inspecting the parts, you are ready to attach the legs to the table top of the BC440.



2. Place the table top upside down on a surface that won't scratch the top (carpet or rug will work fine).

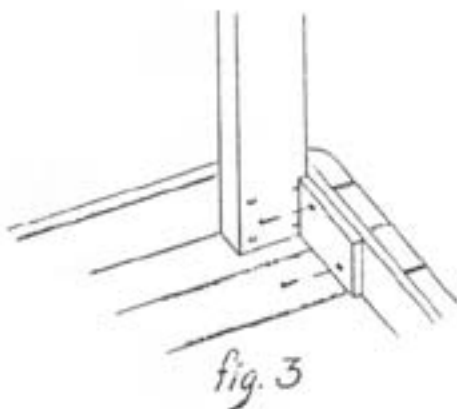
3. Take one of the legs and place it in the inside corner of the skirt as illustrated in figure 1. Make sure the widest side of the leg is against the long skirt and the narrowest side of the leg is against the short skirt.



4. Once you are sure you have it in the right way, remove the leg, put some glue on the leg where it comes in contact with the skirt and while pressing it firmly down into the corner attach it with four #8 screws.

5. Figure 2. shows where the two remaining screws are to be attached.

6. Repeat steps 3 - 5 for the three remaining legs



7. You should still have four small blocks of wood with holes drilled in them. These are designed to provide additional rigidity to the legs. Place them firmly against the legs and the skirt as shown in figure 3 (make sure you use glue) and attach with the #8 screws provided. Repeat this for all four legs

8. You are finished. You may want to put a finish on your table to ensure many years of enjoyment. Please refer to our finishing recommendations or contact us using the our toll free number.